

DESCRIPTION

The CTC and CTD units provide isolated dc outputs directly proportional to ac window current. The output is derived from the average absolute value of the input and is calibrated as the RMS value of an input sine wave. Full-scale input ranges from 5A to 2000A are available. With the exception of 4-20mA outputs, units are self-powered from the measured line.

FEATURES

- Low cost
- Easy to install
- Accurate and reliable
- UL/CUL listed models

APPLICATIONS

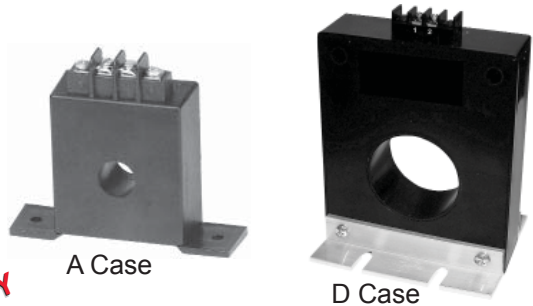
- Industrial environments
- OEM measurement systems
- Energy management and control

** CTC D-case and CTD 5V/10V output models are not included in UL listing.

INPUT AC AMPS	STANDARD OUTPUT MODELS CTC-				CASE SIZE
	0-5Vdc	0-10Vdc	0-1mAdc	4-20mAdc	
0 - 5	005CX5	005C	-	005E2	A
0 - 10	010CX5	010C	-	010E2	A
0 - 15	015CX5	015C	-	015E2	A
0 - 20	020CX5	020C	-	020E2	A
0 - 25	025CX5	025C	-	025E2	A
0 - 30	030CX5	030C	-	030E2	A
0 - 35	035CX5	035C	-	035E2	A
0 - 40	040CX5	040C	-	040E2	A
0 - 50	050CX5	050C	-	050E2	A
0 - 100	100CX5	100C	-	100E2	D**
0 - 150	150CX5	150C	-	150E2	D**
0 - 200	200CX5	200C	-	200E2	D**
0 - 300	300CX5	300C	-	300E2	D**
0 - 400	400CX5	400C	-	400E2	D**
0 - 500	500CX5	500C	-	500E2	D**
0 - 600	600CX5	600C	-	600E2	D**
0 - 800	800CX5	800C	-	800E2	D**
0 - 1000	1000CX5	1000C	-	1000E2	D**

INPUT AC AMPS	STANDARD OUTPUT MODELS CTD-				CASE SIZE
	0-5Vdc**	0-10Vdc**	0-1mAdc	4-20mAdc	
0 - 50	050CX5	050C	050A	050E2	B
0 - 100	100CX5	100C	100A	100E2	B
0 - 150	150CX5	150C	150A	150E2	B
0 - 200	200CX5	200C	200A	200E2	B
0 - 300	300CX5	300C	300A	300E2	B
0 - 400	400CX5	400C	400A	400E2	B
0 - 500	500CX5	500C	500A	500E2	B
0 - 600	600CX5	600C	600A	600E2	B
0 - 800	800CX5	800C	800A	800E2	B
0 - 1000	1000CX5	1000C	1000A	1000E2	B
0 - 200	200CX5Z03	200CZ03	200AZ03	200E2Z03	C
0 - 300	300CX5Z03	300CZ03	300AZ03	300E2Z03	C
0 - 400	400CX5Z03	400CZ03	400AZ03	400E2Z03	C
0 - 500	500CX5Z03	500CZ03	500AZ03	500E2Z03	C
0 - 600	600CX5Z03	600CZ03	600AZ03	600E2Z03	C
0 - 800	800CX5Z03	800CZ03	800AZ03	800E2Z03	C
0 - 1000	1000CX5Z03	1000CZ03	1000AZ03	1000E2Z03	C
0 - 1200	1200CX5Z03	1200CZ03	1200AZ03	1200E2Z03	C
0 - 1500	1500CX5Z03	1500CZ03	1500AZ03	1500E2Z03	C
0 - 2000	2000CX5Z03	2000CZ03	2000AZ03	2000E2Z03	C

CTC CASE STYLES

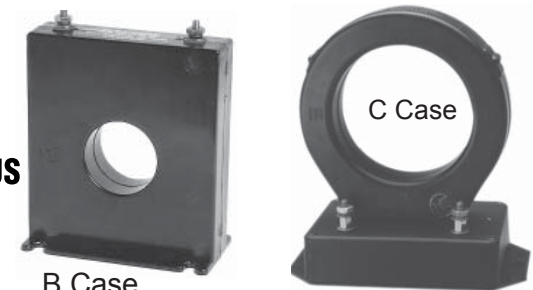


A Case

D Case

5 YEAR WARRANTY

CTD CASE STYLES



B Case

C Case



ORDERING INFORMATION

Example: 25 Amp ac input with 4-20mA loop-powered output

CTC-025E2

SPECIFICATIONS

INPUT

Current See Table
 Current Overload Continuous 1.3 X Rating
 Transient 5 X Rating (10s/hr)
 Frequency Range CTC 50-60Hz
 CTD 50-400Hz

DIELECTRIC TEST

Input/Output/Case 180Vac

INSTRUMENT POWER

"A", "C", "CX5" models Self-Powered
 "E2" models 24Vdc, ±4Vdc, loop powered

OUTPUT

Type See Table
 Loading "A" models 0-10kΩ
 "C", "CX5" models >10MΩ
 "E2" models 0-500Ω
 Response Time (to 90% F.S.) Typical 300ms
 5A, 10A models <750ms

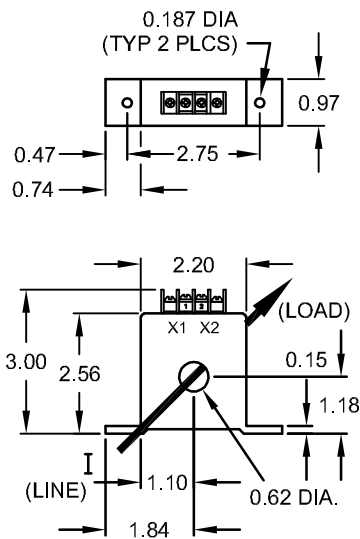
ACCURACY (linearity, setpoint, repeatability @ 60Hz)

CTC 5A-50A models ±0.25% F.S.
 All others ±0.5% F.S.
 Output Ripple All models <±0.5% F.S.

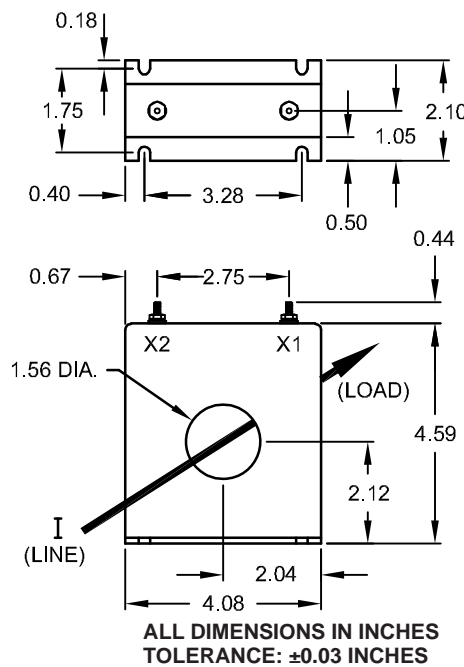
TEMPERATURE

Operating Range -20 to 60°C
 Effect ±1.0% Rdg.

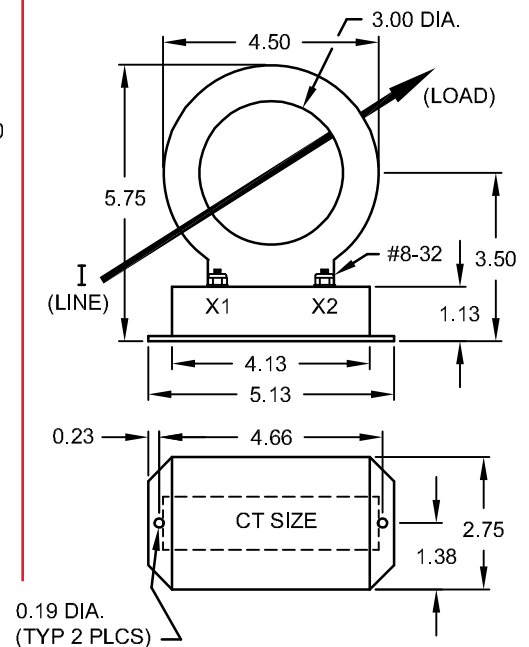
A CASE



B CASE



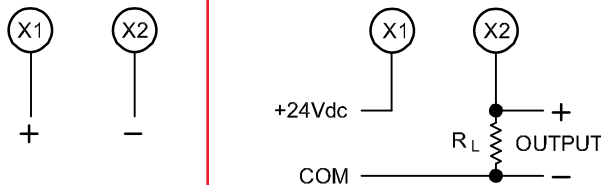
C CASE



Dwg# 0902-00848-B Rev B

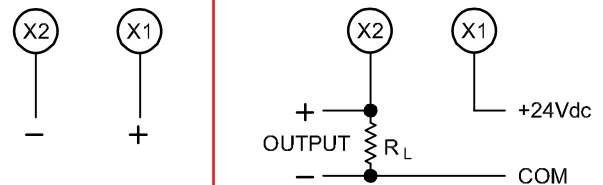
A and C CASE CONNECTIONS

A, C, CX5 MODELS | LOOP-POWERED OPTION E2

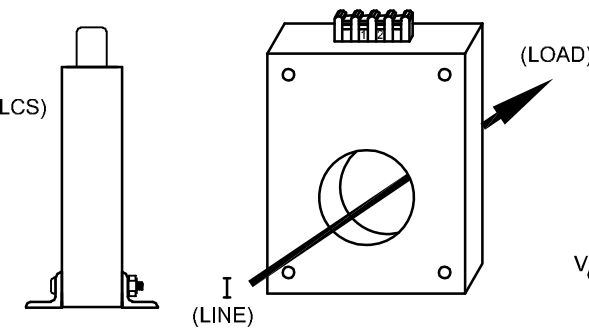
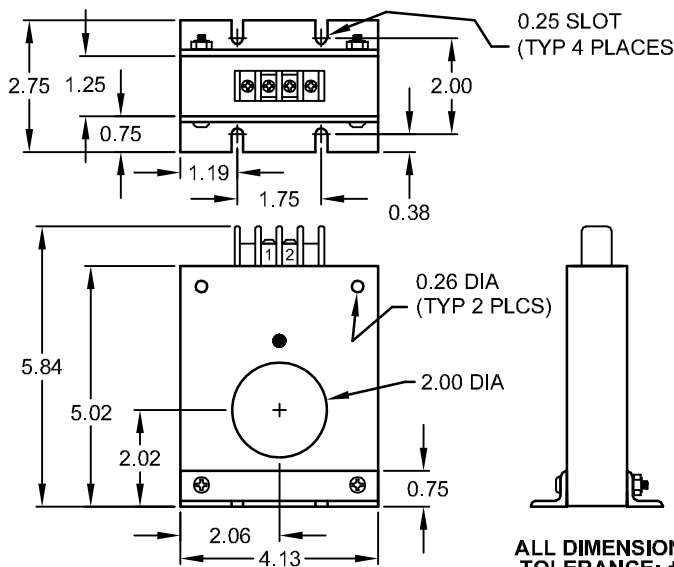


B CASE CONNECTIONS

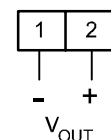
A, C, CX5 MODELS | LOOP-POWERED OPTION E2



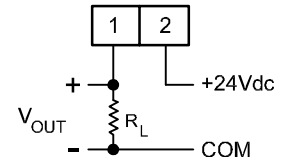
D CASE DIMENSIONS and CONNECTIONS



A, C, CX5 MODELS
5Vdc & 10Vdc
OUTPUT



E2 MODELS
4-20mAdc
LOOP POWER



ALL DIMENSIONS IN INCHES.
TOLERANCE: ±0.03 INCHES.

Dwg# 0902-00848-B Rev B

INSTALLATION INSTRUCTIONS

1. Installation should be performed by qualified electricians only!
2. Make sure electrical service is disconnected before making any electrical connections.
3. Branch circuit protection is required to be provided in accordance with the National and Local codes of the inspection authority.
4. Route wires as required and secure to terminals per connection diagram on this sheet and on the unit.
5. Transducers are suitable for installation on 600Vac lines.
6. To prevent contact with live circuits, when installed on a bare bus bar, the transducer is required to be mounted in an enclosure that requires the use of a tool for access. When installed on an insulated cable this second enclosure is not required.

OPERATING INSTRUCTIONS

1. This unit is intended for indoor use at altitudes up to 2000 meters.
2. Transient overvoltages according to Installation Category (overvoltage) II, Pollution Degree 2.
3. If cleaning of the exterior surface is necessary, de-energize all services of supply (both measuring and instrument power circuits) and brush with a soft brush or blow off with low-pressure air. Use appropriate eye protection. Not suitable for hose-down cleaning.
4. Maximum relative humidity 80 percent for temperatures up to 31°C decreasing linearly to 50 percent relative humidity at 40°C.
5. Maximum operating temperature range is -20°C to 60°C.



UL approved for USA and Canada

WARRANTY STATEMENT

Ohio Semitronics Inc. warrants this unit to be free of defects in material and workmanship for a period of five years from date of shipment. This unit must not be used in any manner other than as specified in this document.